

User Manual for the Prophonic Series

SET UP INSTRUCTION

1. Tilt the Timpani back onto its side, until it is standing on its rear leg feet (Fig. 2).

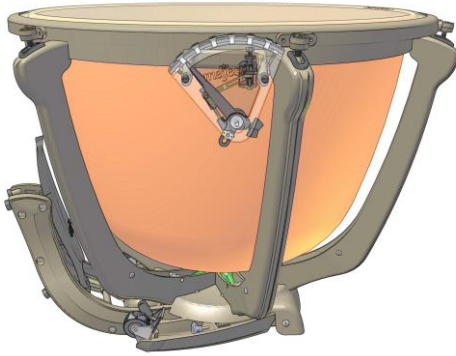


fig 1.



fig 2.

2. Pull the knob (1) out (arrow fig 3) to unlock the front leg. Turn the leg to its playing position (fig 4). Pull the leg, against slight resistance, until it automatically locks.

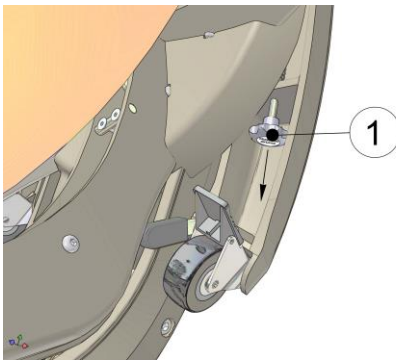


fig 3.

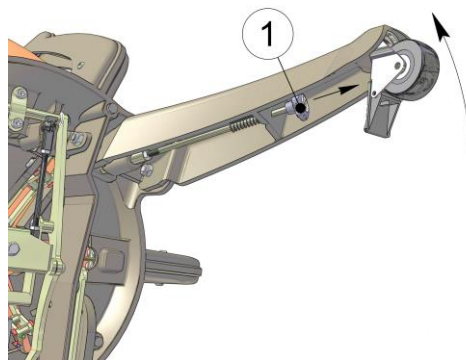


fig 4.

Note: Collapsing the front legs. Against mild resistance, pull the front leg upwards slightly while simultaneously pulling knob 1 (fig 4.) to unlock the legs. Then turn them back to their folded position where they will lock automatically.



fig 5.

3. Place the timpani upright and pull handle 2 down (using your hand or foot) to unlock the rear leg.

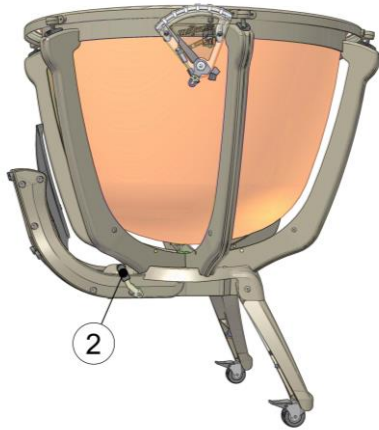


fig 6.

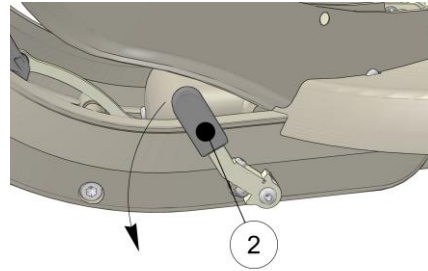


fig 7.

4. Unfold the rear leg until it automatically clicks into position.



fig 8.

MAINTENANCE & PROTECTION

1. When not in use, release the tension on the timpani head to the minimum.

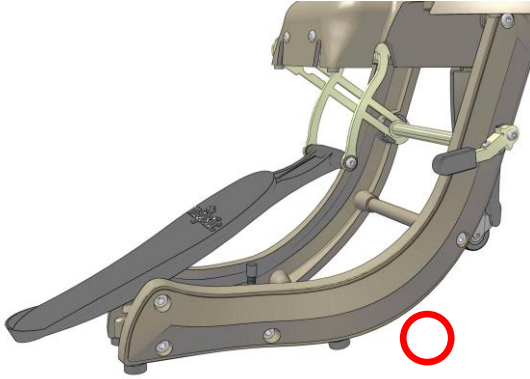


fig 9.

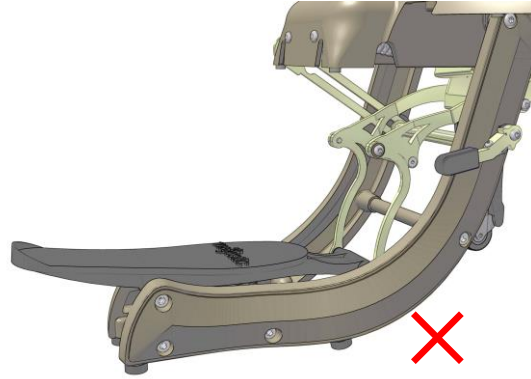


fig 10.

2. When not in use, the timpani should be covered to protect it from dust.



fig 11.

3. When moving or transporting, lift the timpani by the legs. Lifting the timpani by the tension rim may affect tuning performance.

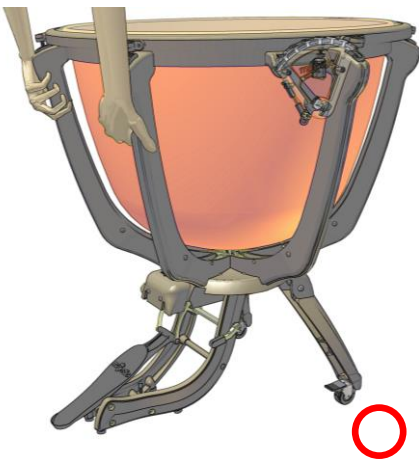


fig 12.



fig 13.

- When tuning or installing the timpani head, position the pedal at the lowest note and turn the tuning screws, by an equal number of rotations, in the order specified below. Once the head is tuned to its specific note, continue to observe the order for tuning and fine tune by checking that the pitch is equal in all six tuning positions.



fig 14.

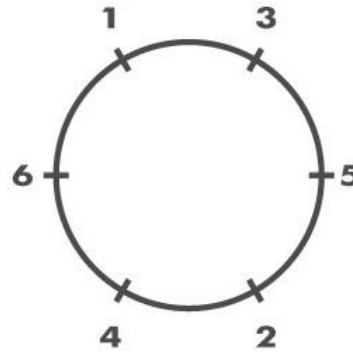


fig 15

- For the best performance, replace the timpani head with the same model as originally equipped. Timpani heads should be replaced every 1-2 years depending on frequency of usage.

Timpani Size	Timpani head
32"	34"
29"	31"
26"	28"
23"	25"
20"	22"