

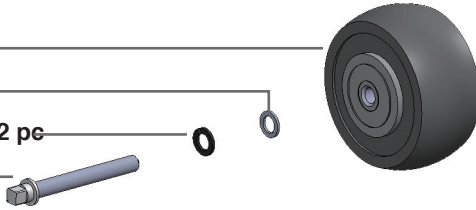
**Add-On Wheels (PGC26-252A) (MGW2 USA) includes following items**

Wheel x 2 pc

Flat washer x 2

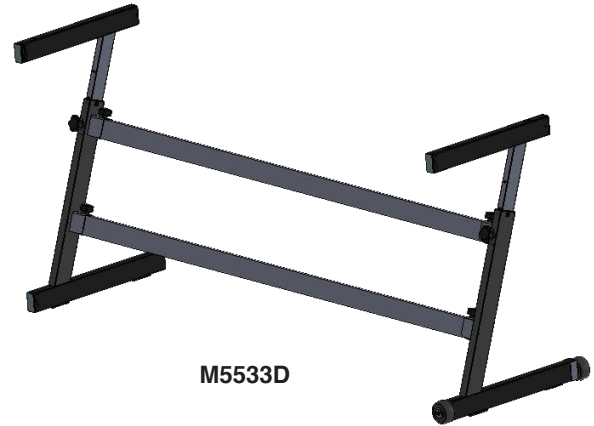
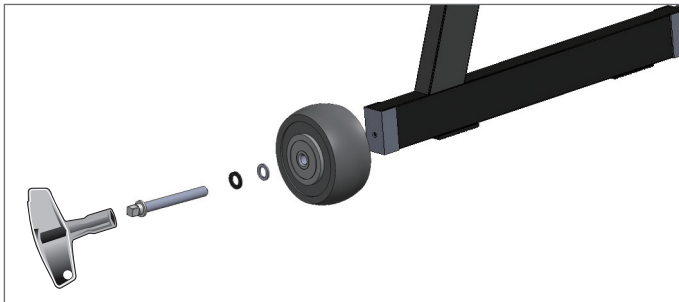
Spring washer x 2 pc

Screw x 2 pc

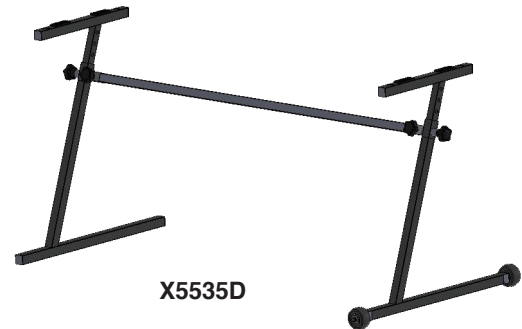


### Step by Step instruction:

1. Remove the parts from the bag
2. Insert screw with the sequence of spring washer, flat washer and wheel.
3. Attach the wheel assembly to Z-stand. The screw slots are available only at one end of leg.
4. to finish the installation, fasten the screw and tighten with drum-key.



M5533D



X5535D